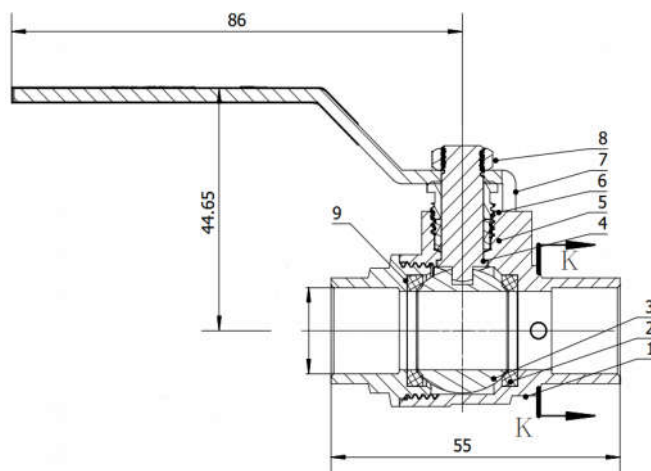




# BRASS BALL VALVE

**2 Piece-Solder X Solder Connections-600 WOG**



## Features

- .Water blow-out proof stem
- .Teflon seal, Chrome plated no lead ball
- .100% leak tested
- .Dezincification resistant brass alloy
- .Wanted surfaces contain less than 0.25% lead content

Approvals:



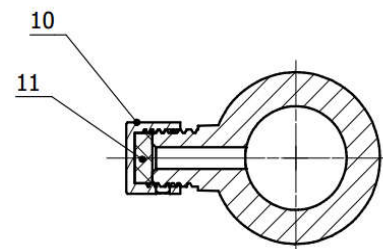
**CUPC list (1/2"-1")**

**NSF List (1/2"-1")**

**AB1953 List (1/2"-1")**

## Material Specifications

No	Part	Materials
1	Body	Brass-C46500
2	Sealings	Teflon
3	Ball	Brass-C46500
4	Stem	Brass-C46500
5	Gasket	Teflon
6	Press Nut	Brass
7	Handle	A3
8	Nut	A3
9	Bonnet	Brass-C46500
10	Nut	Brass-C46500
11	Washer	EPDM



The ball valves did not leak during 82°C water temperature and 0.86 Kpa for 30 minutes.

The Ball Valve were subject to a life cycle test for 5,000 cycles

No leakage applying a hydrostatic pressure of 300 psi at 23°C, maintain the pressure for 5 min with the valve closed.

Ends for soldering to copper tubes or fittings complied with the dimensional requirements of ASME B16.18 or ASME B 16.22.

Pex Tubing complied with the dimensional requirements ASTM F1807 or CSA B137.5

Ball Valves and parts intended for the delivery of potable water complied with applicable requirements of NSF/ANSI 61.