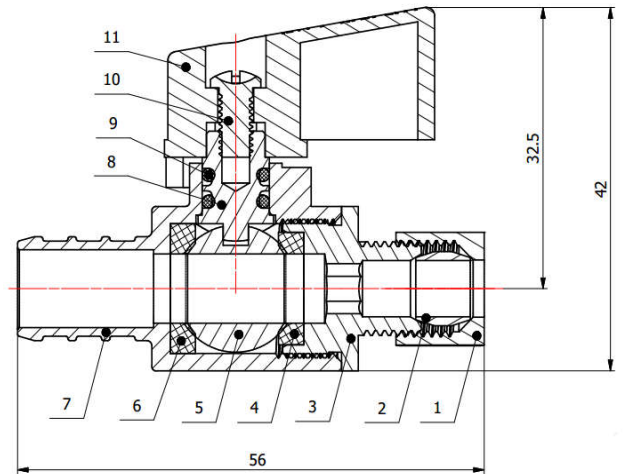
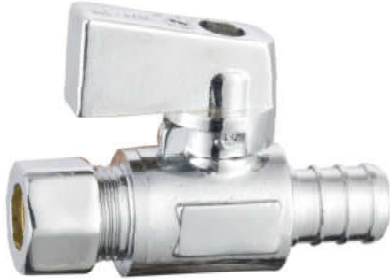




# BRASS BALL VALVE

**2 Piece-Pex X OD Connections-200 WOG**



## Features

- .Double O-Ring Stem
- .Teflon seal,Chrome plated no lead ball
- .100% leak tested
- .Dezincification resistant brass alloy
- .Wattted surfaces contain less than 0.25% lead content

Approvals:



**CUPC list (1/4",3/8",1/2")**

**NSF List (1/4",3/8",1/2")**

**AB1953 List (1/4",3/8",1/2")**

## Material Specifications

No	Part	Materials
1	OD NUT	Brass
2	Gasket	H60
3	Bonnet	Brass-C46500
4	Sealings	Teflon
5	Ball	Brass-C46500
6	Sealings	Teflon
7	Body	Brass-C46500
8	Stem	Brass-C46500
9	O-Ring	EPDM
10	Screw	A3
11	Handle	Zinc

The ball valves did not leak during 82°C water temperature and 0.86 Kpa for 30 minutes.

The Ball Valve were subject to a life cycle test for 5,000 cycles

No leakage applying a hydrostatic pressure of 300 psi at 23°C, maintain the pressure for 5 min with the valve closed.

Ends for soldering to copper tubes or fittings complied with the dimensional requirements of ASME B16.18 or ASME B 16.22.

Pex Tubing complied with the dimensional requirements ASTM F1807 or CSA B137.5

Ball Valves and parts intended for the delivery of potable water complied with applicable requirements of NSF/ANSI 61.