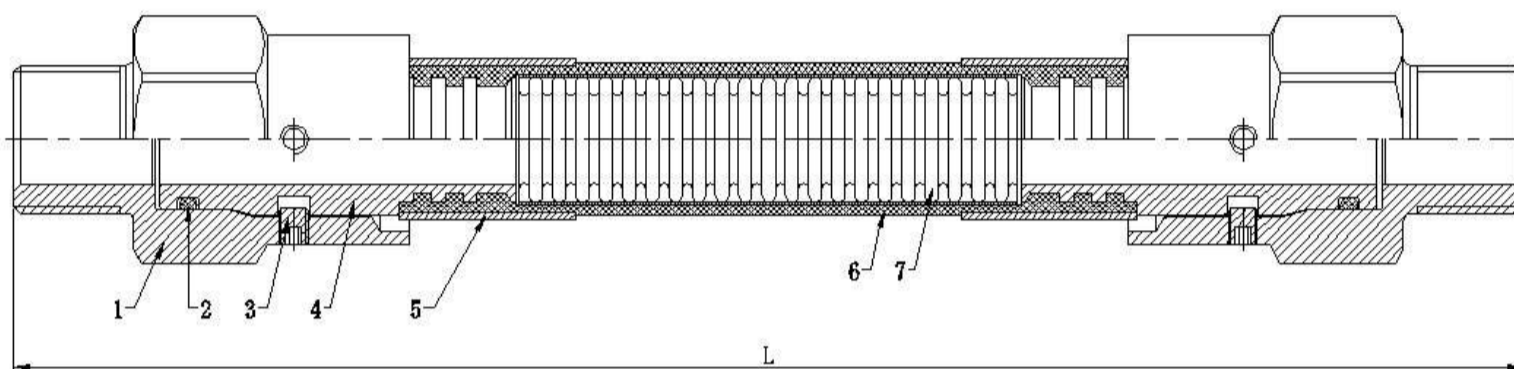


SS304/Antimicrobial PVC Coating

COMMERCIAL GAS CONNECTORS

Features:

- 304 Stainless steel flexible hose
- Antimicrobial PVC Coating
- Heavy Duty Welded Ends
- Dual 360° Rotational Fittings
- Working pressure: $\leq 1/2$ PSI



**3/4"ID (1"OD)
3/4" MIP X 3/4" MIP**

Material Specifications

No.	Description	Material
1	Fitting	Q235
2	O Ring	NBR
3	Screw	S.S201
4	Fitting	S.S304
5	Cover	S.S304
6	Coating	PVC
7	Corrugated Hose	S.S304

- Product complies with ANSI Z21.69/CSA6.16



Dimensions are in inches

SKU	Fitting Size	ID	L
63352-CGC	3/4M X 3/4M	3/4"	48"