

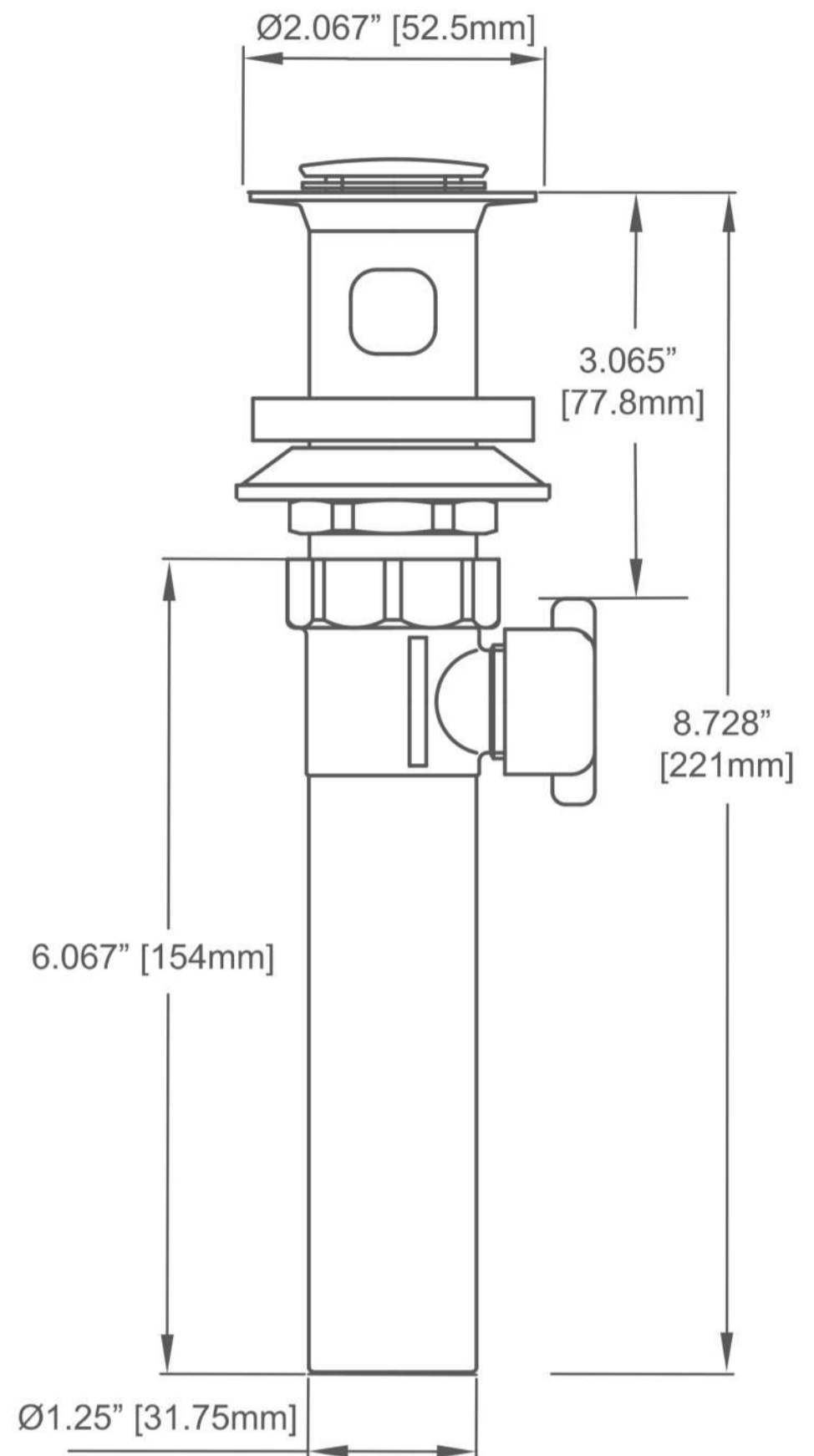


DESCRIPTION

Two piece, brass seat with plastic tailpiece, complete with lift rod & linkage hardware.

FEATURE

- CSA Certified and Patented Gasket Washer with Retainer Lip ensures leak proof seal
- Easy Installation without need for linkage adjustment



Management Systems