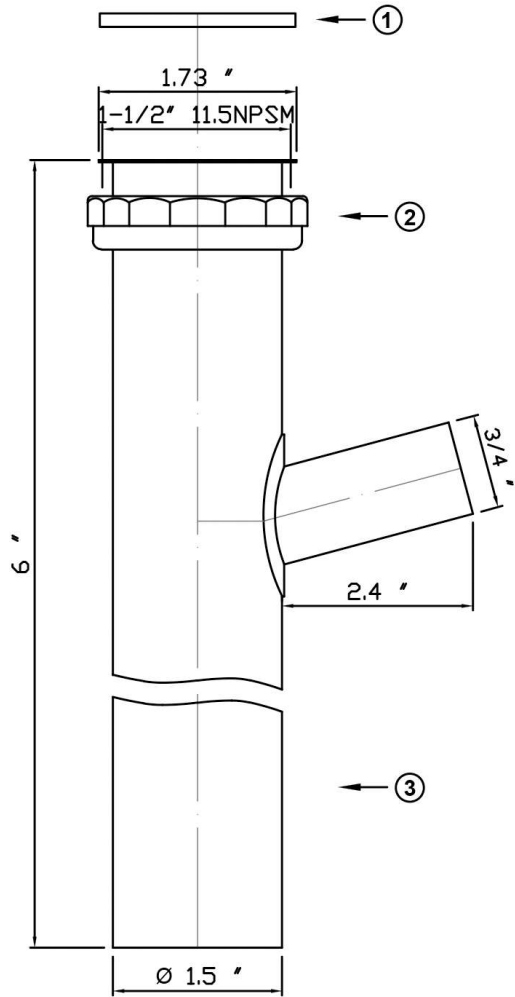


Position of laser mark



NO.	Desc.	QTY	Material
1	Gaskets	1	NBR
2	NUT	1	Zinc
3	Adust. Tube	1	Brass
4			
5			
6			
7			
8			
9			
10			

		Size:		<30	≥31~200	≥201~500
		Tolerance:		±1	±3	±5
Item No.:	5204-256	Designer:		Weight:	Any mark on product	
Item name:		Check:		Date:	11/07/2023	
Customer:		Paper:	A4	Scale:		