

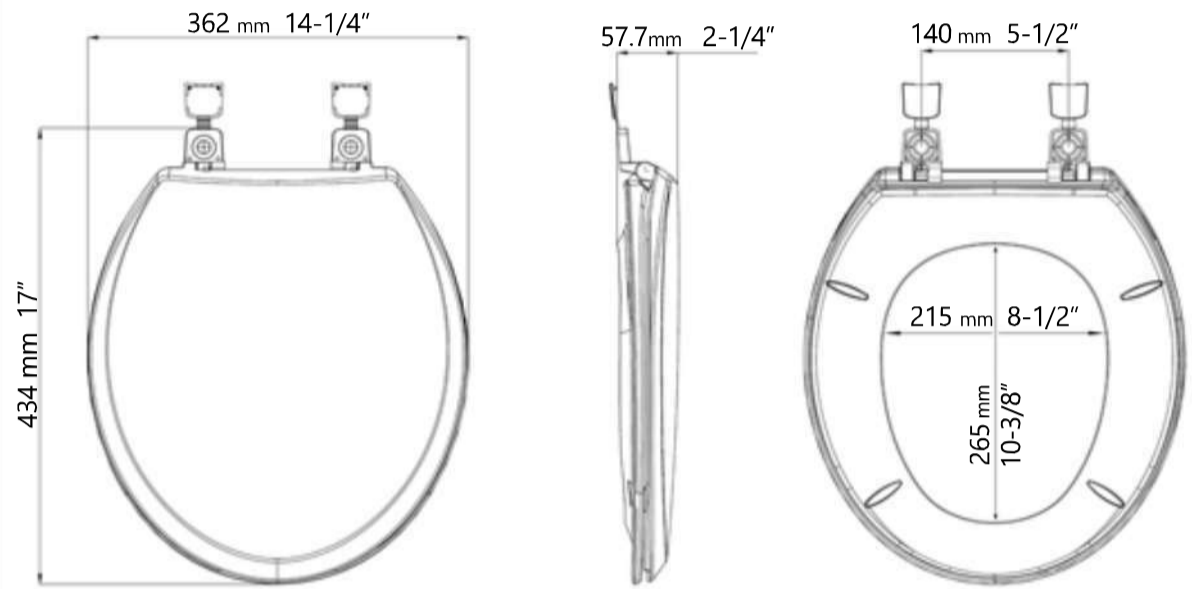


Seat 5501-017 / 5501-019

RESIDENTIAL



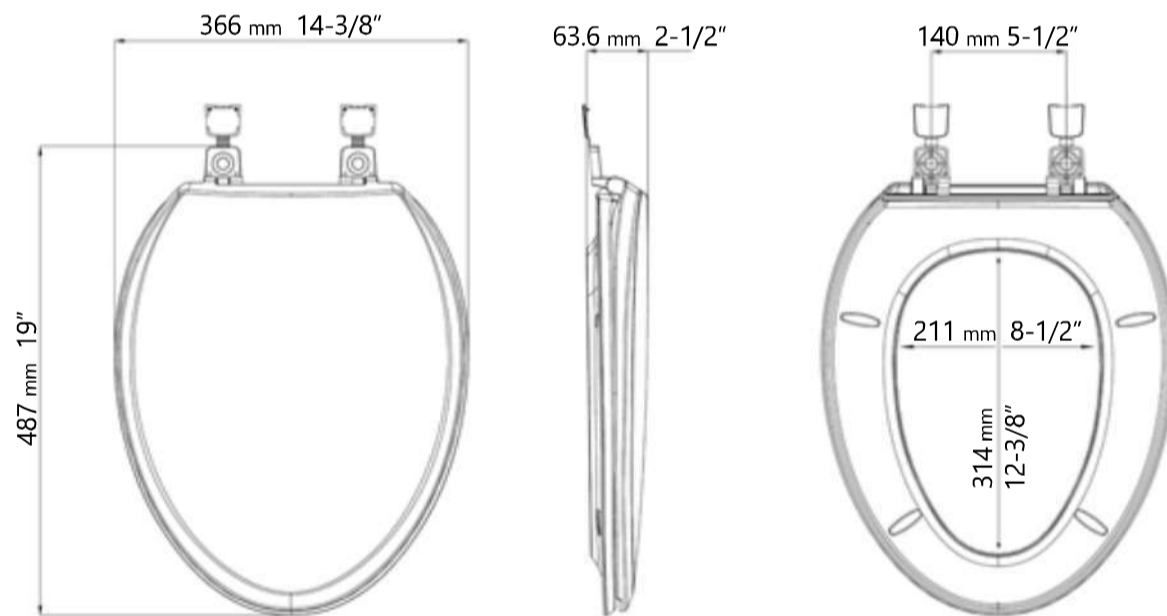
5501-017 Round



**dimensions may vary within an acceptable range of tolerance



5501-019 Elongated



**dimensions may vary within an acceptable range of tolerance

Features and Specifications

- closed front toilet seat with lid
- mounting hardware included
- colour: soft white
- 1 year limited warranty

- material: polypropylene
- HDPE plastic hinges
- POM copolymer screws and fittings

